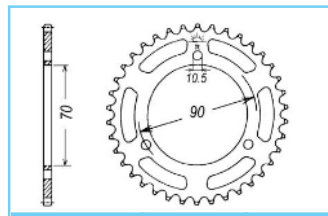
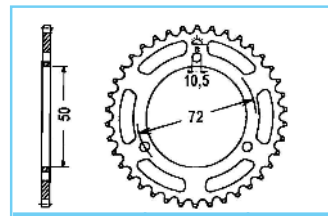


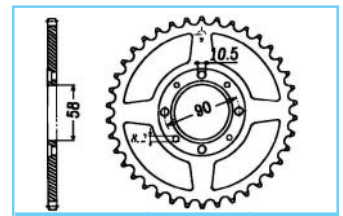
Obj. .	PZ	
MO 111-201-	43	
DID 520		
JTF 256		



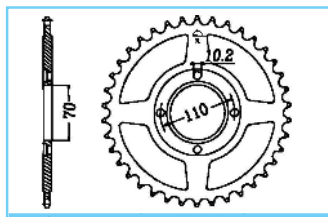
Obj. .	PZ	
MO 111-231-	40,42	
DID 420		
JTF 239		



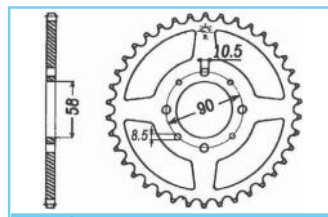
Obj. .	PZ	
MO 111-232-	45	
DID 420		
JTF 216		



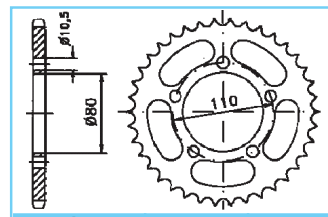
Obj. .	PZ	
MO 111-441-	31,33	
DID 520	35	
JTF 279	41	



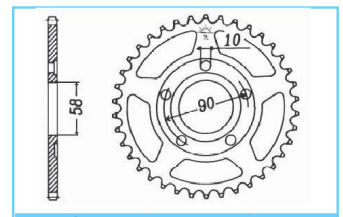
Obj. .	PZ	
MO 111-443-	36	
DID 520		
JTF 247		



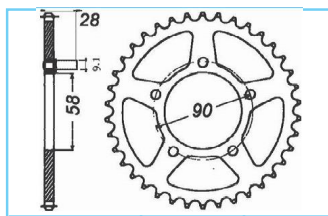
Obj. .	PZ	
MO 111-446-	39	
DID 520	41	
JTF 273	44	



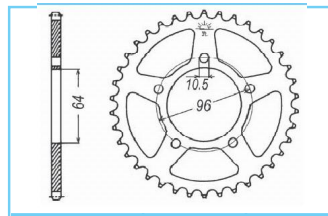
Obj. .	PZ	
MO 111-451-	36	
DID 520		
SJ 32008		



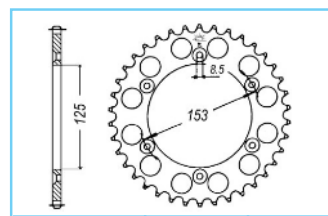
Obj. .	PZ	
MO 111-453-	40	
DID 520	44	
JTF 604		



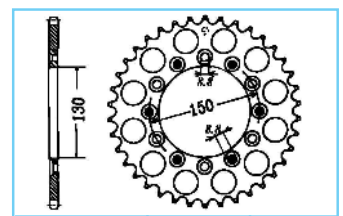
Obj. .	PZ	
MO 111-455-	36	
DID 520		
JTF 605		



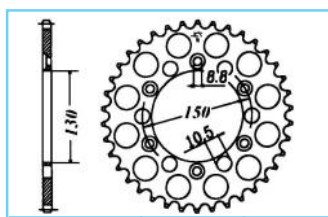
Obj. .	PZ	
MO 111-456-	37	
DID 520	41	
JTF 254		



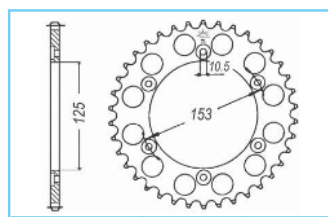
Obj. .	PZ	
MO 111-462-	45	
DID 520	48	
JTF 210		



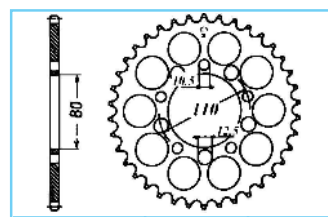
Obj. .	PZ	
MO 111-463-	38,39,40	
DID 520	41	
JTF 245/2	48	
	50	



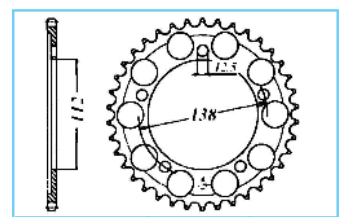
Obj. .	PZ	
MO 111-464-	42	
DID 520	43	
JTF 245/3	45	
	46,47	



Obj. .	PZ	
MO 111-472-	45	
DID 520	48	
JTR 301		



Obj. .	PZ	
MO 111-552-	36	
DID 525	37	
	40	
	43,44	
	45	
	46	
JTR 1332	48	



Obj. .	PZ	
MO 111-554-	41,42	
DID 525	43	
JTR 1304	44	
	45,47	

Obj. .	PZ
MO 111-561-	40
DID 525	
JTR 312	

Obj. .	PZ
MO 111-566-	47
DID 525	48
	49
JTR 300	

Obj. .	PZ
MO 111-567-	44
DID 525	
JTR 1311	

Obj. .	PZ
MO 111-569-	42
DID 525	44,45,46
JTR 1307	

Obj. .	PZ
MO 111-593-	44
DID 525	
ALU	
JTA 1304	

Obj. .	PZ
MO 111-642-	36
DID 530	38
JTR 278	

Obj. .	PZ
MO 111-643-	36
DID 530	
JTR 246	

Obj. .	PZ
MO 111-644-	37
DID 530	48
JTR 284	

Obj. .	PZ
MO 111-645-	34
DID 530	37
JTR 282	

Obj. .	PZ
MO 111-652-	40,41
DID 530	42,43
	44
	45
	46
JTR 1334	47

Obj. .	PZ
MO 111-654-	39,41
DID 530	42,43
	44
JTR 302	45

Obj. .	PZ
MO 111-666-	40
DID 530	
JTR 298	

Obj. .	PZ
MO 111-668-	43
DID 530	45
JTR 343	

Obj. .	PZ
MO 111-669-	40,42
DID 530	43
JTR 1306	

Obj. .	PZ
MO 111-671-	43
DID 530	
JTR 1342	

Obj. .	PZ	
MO 111-844-	38	
DID 630	43	
JTR 333		

Obj. .	PZ	
MO 111-852-	33	
DID 630		
JTR 336		

Obj. .	PZ	
MO 112-241-	42	
DID 420	49	00
JTR 832		

Obj. .	PZ	
MO 112-242-	43,48	
DID 420		
JTR 834		

Obj. .	PZ	
MO 112-248-	47	
DID 420		
JTR 1078		

Obj. .	PZ	
MO 112-281-	52	
DID 420		
SJ 50-13032		

Obj. .	PZ	
MO 112-342-	45	
DID 428		
JTR 838		

Obj. .	PZ	
MO 112-346-	59	
DID 428		
JTR 1874		

Obj. .	PZ	
MO 112-351-	52	
DID 428		
JTR 1842		

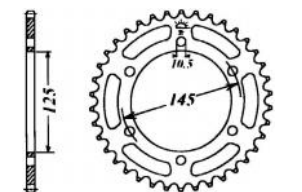
Obj. .	PZ	
MO 112-372-	57	
DID 428		
JTR 1847		

Obj. .	PZ	
MO 112-373-	57	
DID 428		
JTR 839		

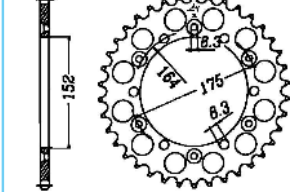
Obj. .	PZ	
MO 112-446-	38	
DID 520	39,40	
	41	
	45	
	46	
JTR 857	47	

Obj. .	PZ	
MO 112-461-	46	
DID 520		
JTR 845		

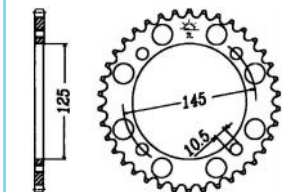
Obj. .	PZ	
MO 112-465-	37	
DID 520	39	
JTR 846		



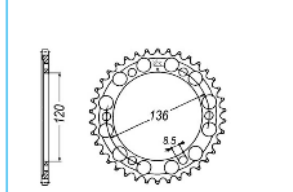
Obj. .	PZ
MO 112-466-	45
DID 520	46
	48
JTR 855	



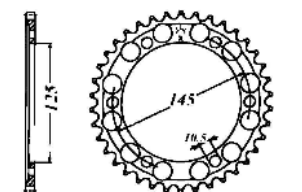
Obj. .	PZ
MO 112-469-	40,42
DID 520	44
	46
	47
JTR 853	50



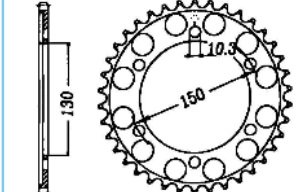
Obj. .	PZ
MO 112-491-	40
DID 520	
ALU	
JTA 857	



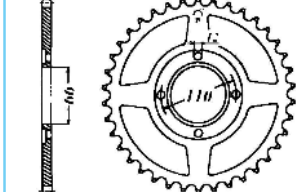
Obj. .	PZ
MO 112-565-	44
DID 525	
JTR 844	



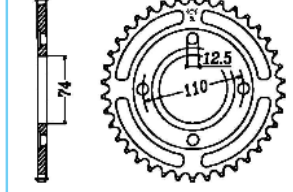
Obj. .	PZ
MO 112-566-	42
DID 525	43,44
JTR 867	



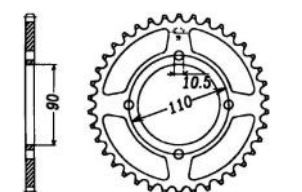
Obj. .	PZ
MO 112-567-	39
DID 525	42
JTR 300	



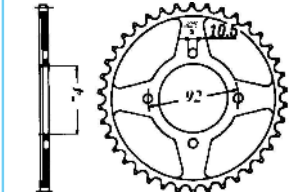
Obj. .	PZ
MO 112-643-	38
DID 530	
JTR 849	



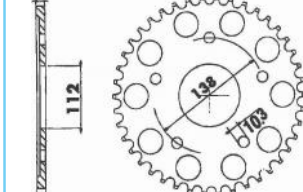
Obj. .	PZ
MO 112-644-	36
DID 530	39
	43
JTR 854	



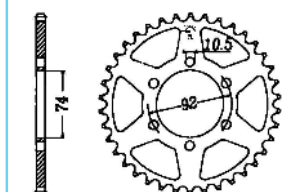
Obj. .	PZ
MO 112-645-	38
DID 530	
JTR 840	



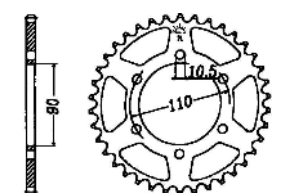
Obj. .	PZ
MO 112-647-	39
DID 530	
JTR 848	



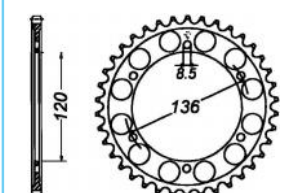
Obj. .	PZ
MO 112-652-	48
DID 530	
JTR 1871	



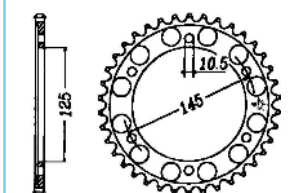
Obj. .	PZ
MO 112-662-	46
DID 530	
JTR 856	



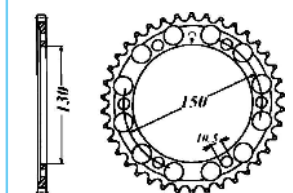
Obj. .	PZ
MO 112-663-	33
DID 530	
JTR 850	



Obj. .	PZ
MO 112-664-	38
DID 530	44
JTR 862	



Obj. .	PZ
MO 112-666-	39
DID 530	43
	44,46
JTR 865	49



Obj. .	PZ
MO 112-668-	38,40
DID 530	41
	46
	47
JTR 859	48

Obj. .	PZ	
MO 112-671-	42	
DID 530		
JTR 841		

Obj. .	PZ	
MO 112-693-	46	
DID 530		
ALU		
JTA 865		

Obj. .	PZ	
MO 112-752-	48	
DID 532		
JTR 1873		

Obj. .	PZ	
MO 112-768-	38	
DID 532	39	
	43	
JTR 866	46,47	

Obj. .	PZ	
MO 113-241-	32,38	
DID 420		
JTR 801		

Obj. .	PZ	
MO 113-342-	56	
DID 428		
JTR 1806		

Obj. .	PZ	
MO 113-343-	45	
DID 428		
JTR 1794		

Obj. .	PZ	
MO 113-344-	43	
DID 428		
JTR 810		

Obj. .	PZ	
MO 113-369-	53	
DID 428		
JTR 809		

Obj. .	PZ	
MO 113-443-	41	
DID 520		
JTR 819/2		

Obj. .	PZ	
MO 113-445-	51	
DID 428		
JTR 1796		

Obj. .	PZ	
MO 113-451-	39	
DID 520		
JTR 823		

Obj. .	PZ	
MO 113-462-	42	
DID 520		
JTR 820		

Obj. .	PZ	
MO 113-463-	45	
DID 520	48	
JTR 1825		

Obj. .	PZ	
MO 113-465-	41,43	
DID 520		
JTR 822		

Obj. .	PZ	
MO 113-466-	42	
DID 520	48	
JTR 828		

Obj. .	PZ
MO 113-468-	41
DID 520	44
JTR 808	

Obj. .	PZ
MO 113-551-	44,45
DID 525	
JTR 807	

Obj. .	PZ
MO 113-552-	41
DID 525	42,43 45,47,48
JTR 1792	

Obj. .	PZ
MO 113-566-	47
DID 525	
JTR 1821	

Obj. .	PZ
MO 113-567-	41,43
DID 525	
JTR 1791	

Obj. .	PZ
MO 113-642-	40
DID 530	46
JTR 824	

Obj. .	PZ
MO 113-651-	42
DID 530	43 44 45 47 48
JTR 829	

Obj. .	PZ
MO 113-652-	40
DID 530	42 43 44 46
JTR 1800	

Obj. .	PZ
MO 113-653-	41
DID 530	
JTR 1797	

Obj. .	PZ
MO 113-661-	41
DID 530	45
JTR 814	

Obj. .	PZ
MO 113-664-	38
DID 530	42 43 44,45 48,50
JTR 816	

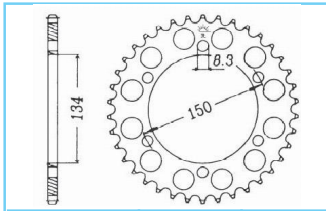
Obj. .	PZ
MO 113-751-	47
DID 532	
JTR 830	

Obj. .	PZ
MO 113-764-	42,43 48 52
DID 532	
JTR 827	

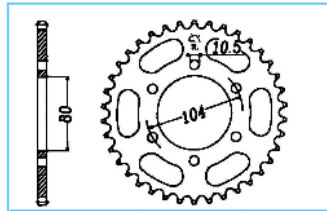
Obj. .	PZ
MO 113-791-	47
DID 532	
ALU	
W 821	

Obj. .	PZ
MO 113-864-	41
DID 630	42
JTR 818	

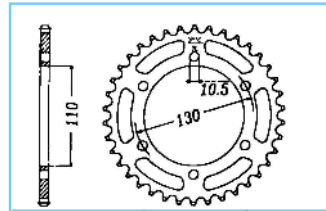
Obj. .	PZ
MO 114-367-	46
DID 428	
JTR 468	



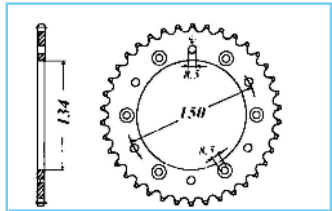
Obj. .	PZ
MO 114-368-	48
DID 428	
JTR 463	



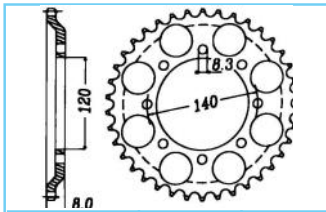
Obj. .	PZ
MO 114-463-	40
DID 520	43
	45
JTR 478	46



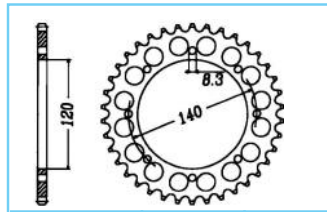
Obj. .	PZ
MO 114-466-	38
DID 520	41
	42
JTR 486	45,47



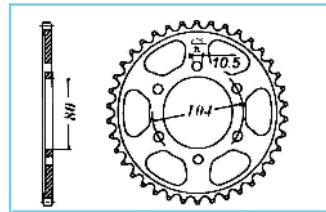
Obj. .	PZ
MO 114-468-	42
DID 520	49
JTR 460	



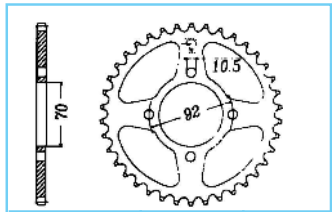
Obj. .	PZ
MO 114-481-	43
DID 520	
JTR 477	



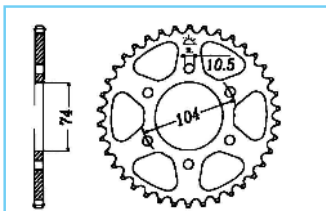
Obj. .	PZ
MO 114-482-	43
DID 520	44
	46
JTR 487	47



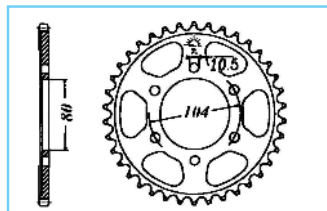
Obj. .	PZ
MO 114-563-	39
DID 525	40
	41
JTR 1489	42,43



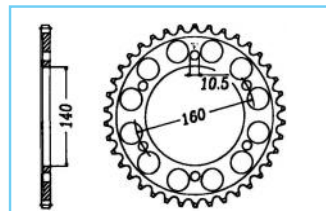
Obj. .	PZ
MO 114-641-	40
DID 530	45
JTR 476	



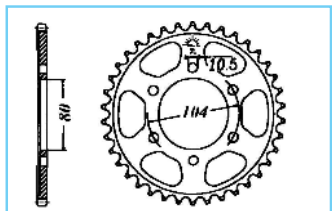
Obj. .	PZ
MO 114-661-	42
DID 530	
JTR 481	



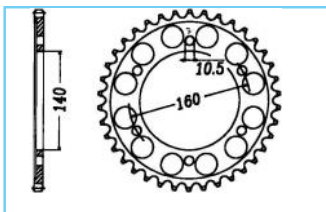
Obj. .	PZ
MO 114-663-	38
DID 530	40
	41
	42
	44
	45
JTR 488	46



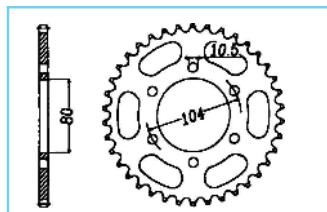
Obj. .	PZ
MO 114-671-	45
DID 530	47
	49
JTR 502	



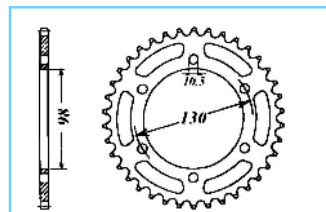
Obj. .	PZ
MO 114-691-	44
DID 530	
ALU	
JTA 1488	



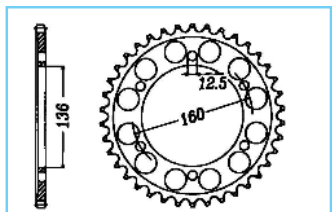
Obj. .	PZ
MO 114-771-	45
DID 532	
JTR 503	



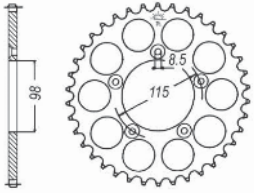
Obj. .	PZ
MO 114-863-	33
DID 630	34
	35
	38
JTR 501	41



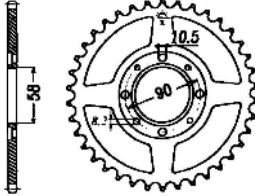
Obj. .	PZ
MO 114-865-	35
DID 630	
JTR 483	



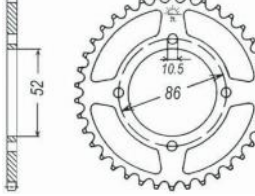
Obj. .	PZ
MO 114-869-	40
DID 632	
JTR 500	



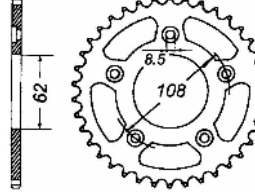
Obj. .	PZ
MO 115-258-	46
DID 420	50
JTR 894	



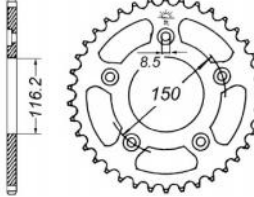
Obj. .	PZ
MO 115-341-	41,42
DID 428	43 44,45
JTR 269	



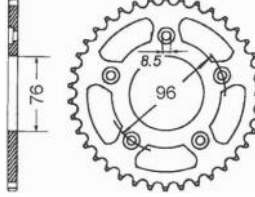
Obj. .	PZ
MO 115-442-	30
DID 520	
JTR 1071	



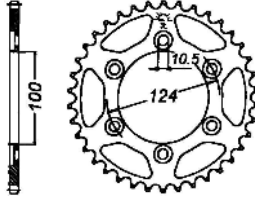
Obj. .	PZ
MO 115-452-	39
DID 520	41 43 45
JTR 701	



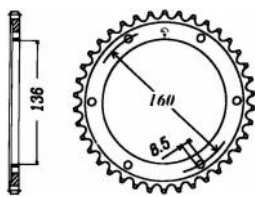
Obj. .	PZ
MO 115-453-	42
DID 520	
JTR 28	



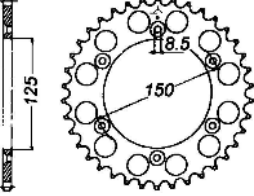
Obj. .	PZ
MO 115-455-	43
DID 520	
PBR 4375	



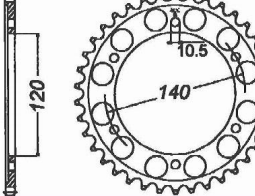
Obj. .	PZ
MO 115-461-	37
DID 520	38,39 40 41,42,43 44,46 48
JTR 735	



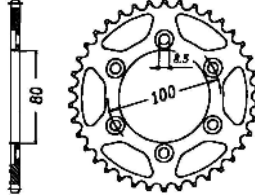
Obj. .	PZ
MO 115-463-	47
DID 520	49
JTR 5	



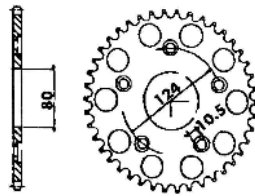
Obj. .	PZ
MO 115-464-	38,40,42
DID 520	45,48,50 52
JTR 897	



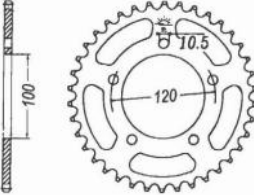
Obj. .	PZ
MO 115-465-	42
DID 520	
JTR 1490	



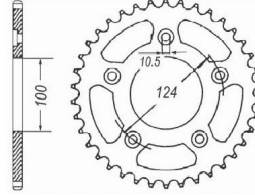
Obj. .	PZ
MO 115-468-	47,48
DID 520	



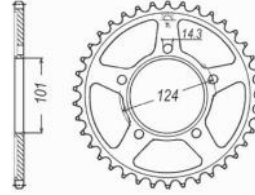
Obj. .	PZ
MO 115-490-	36
DID 520	38
ALU	
PBR 1020	



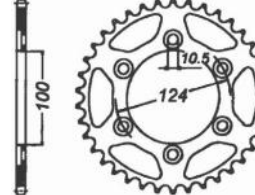
Obj. .	PZ
MO 115-554-	41,42
DID 525	43
JTR 702	



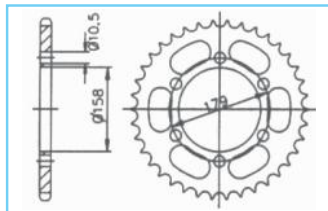
Obj. .	PZ
MO 115-556-	36,37
DID 525	38,39
JTR 744	



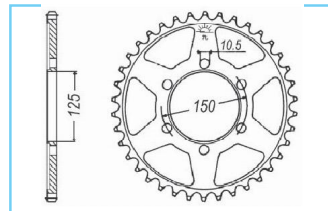
Obj. .	PZ
MO 115-557-	38,41
DID	
JTR 898	



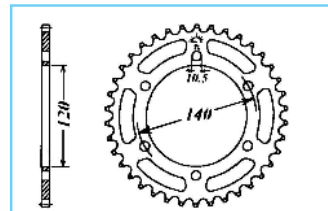
Obj. .	PZ
MO 115-561-	37,38
DID 525	39,42 43
JTR 745	



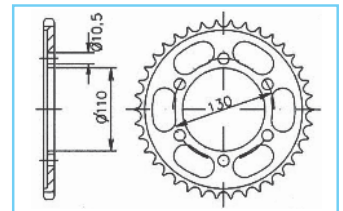
Obj. .	PZ
MO 115-562-	45
DID 525	
SJ 50-29028	



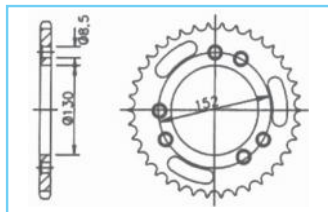
Obj. .	PZ
MO 115-564-	42
DID 525	45
JTR 899	



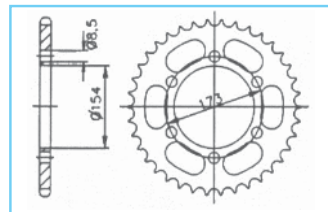
Obj. .	PZ
MO 115-565-	38
DID 525	39
	40
JTR 498	44,45,46



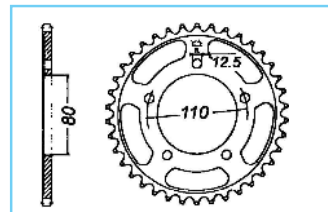
Obj. .	PZ
MO 115-567-	45
DID 525	
JTR 1876	



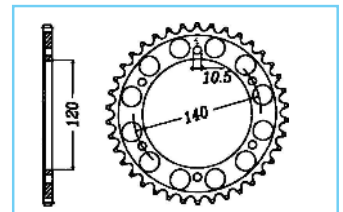
Obj. .	PZ
MO 115-571-	41
DID 525	
SJ 50-29029	



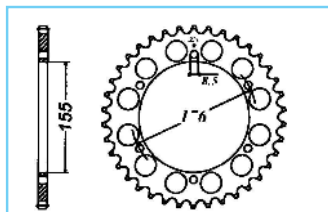
Obj. .	PZ
MO 115-573-	43
DID 525	
SJ 50-2902	



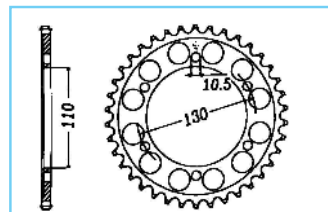
Obj. .	PZ
MO 115-651-	40
DID 530	42
	43
	45,46
	48
JTR 2010	49



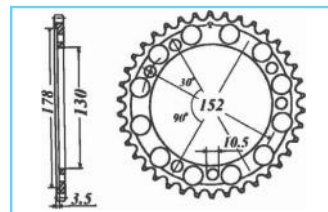
Obj. .	PZ
MO 115-665-	38
DID 530	39
	40,42,43
	46
JTR 499	48



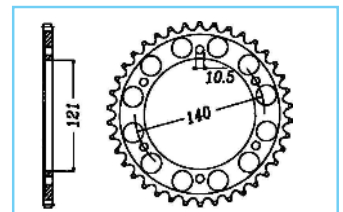
Obj. .	PZ
MO 115-666-	42,43
DID 530	45
JTR 2011	



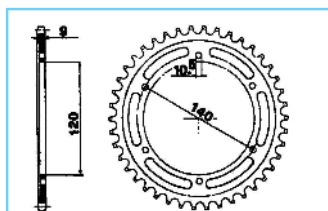
Obj. .	PZ
MO 115-667-	39
DID 530	42
	43
	44
	45
	46
	47
JTR 479	48



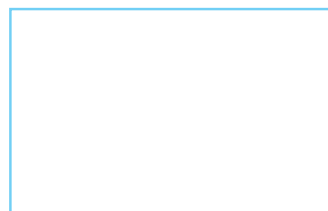
Obj. .	PZ
MO 115-671-	46
DID 530	
JTR 729	



Obj. .	PZ
MO 115-672-	40
DID 530	
PBR 4435	



Obj. .	PZ
MO 115-693-	49
DID 530	
ALU	
PBR 498	



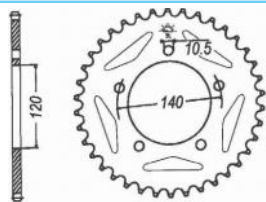
Obj. .	PZ
MO 115-767-	48
DID 532	
JTR 1875	

ALU rozety Sport pro et zy DID 520

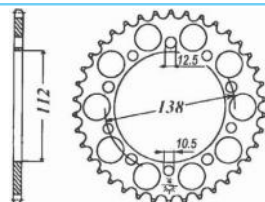
Použití pouze s adaptérem MO 110-002



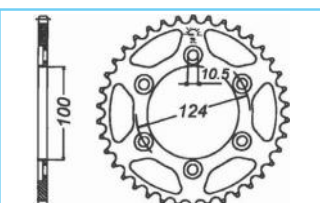
Obj. .	PZ
MO 110-402- ĀLU	36,38 40,42



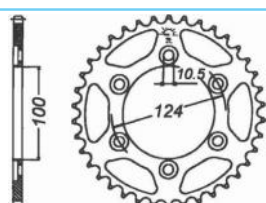
Obj. .	PZ
MO 110-452- ALU	42 43,44 45,46
JT 1793	47,48



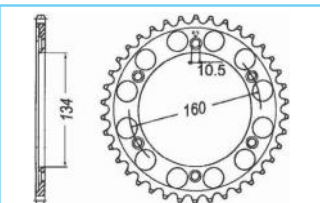
Obj. .	PZ
MO 110-454- ALU	42,43 44,45 46,47,48
JT 1303	49,50



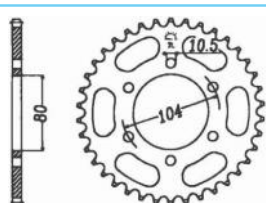
Obj. .	PZ
MO 110-456-	36 38 40 42



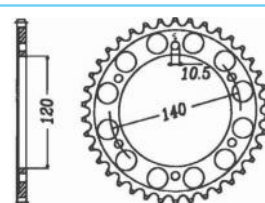
Obj. .	PZ
MO 110-460- ALU	36,37 39
JT 735	



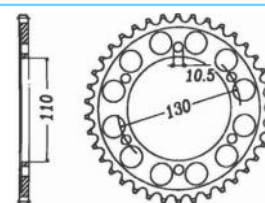
Obj. .	PZ
MO 110-461- ALU	40,41 42,43 44,45,46
JT 1308	47,48



Obj. .	PZ
MO 110-462- ALU	40 41,42 43,44,45
JT 478	



Obj. .	PZ
MO 110-463- ALU	44,45,46 48
JT 1490	



Obj. .	PZ
MO 110-465- ALU	42,43,44 45,46 47,48
JT 486	49,50

Adapter pro Ducati



Obj. .
MO 110-002

* = rozeta MO 110-402-..
pro použití s adaptérem : Obj. . MO 110-002!

Tento speciáln vyvinutý adaptér pro Ducati 748, 749, 916, 996 a 998 umož ũje montáž rozet místo originálních. Adaptér je pro libovolný p evod a umož ũje použití et zu 520 i 525.