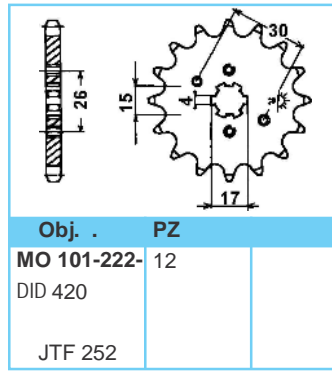
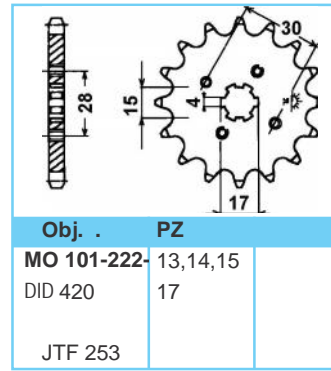


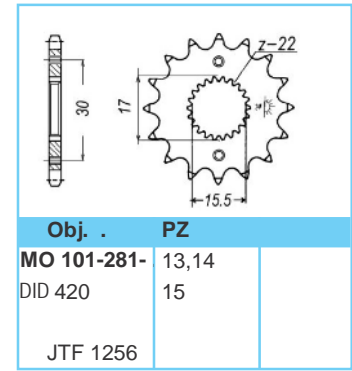
Obj. . PZ
MO 101-221- 12
DID 420



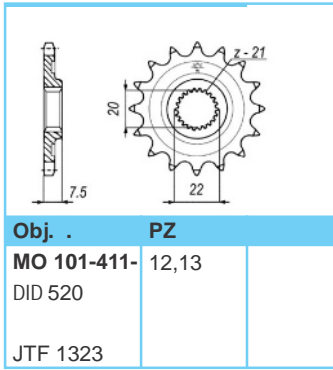
Obj. . PZ
MO 101-222- 12
DID 420



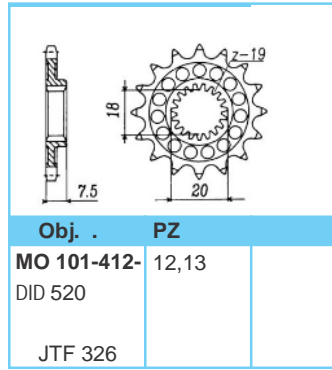
Obj. . PZ
MO 101-222- 13,14,15
DID 420 17



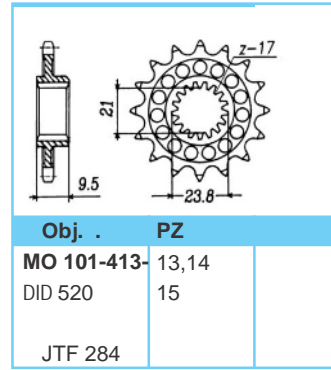
Obj. . PZ
MO 101-281- 13,14
DID 420 15



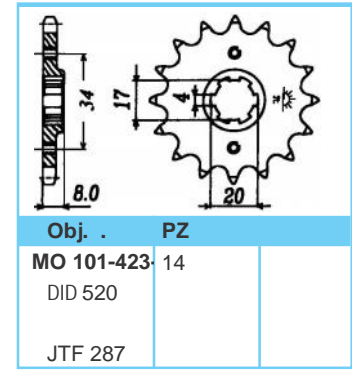
Obj. . PZ
MO 101-411- 12,13
DID 520



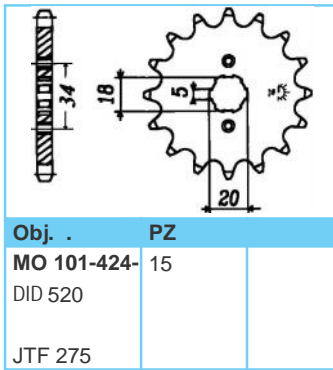
Obj. . PZ
MO 101-412- 12,13
DID 520



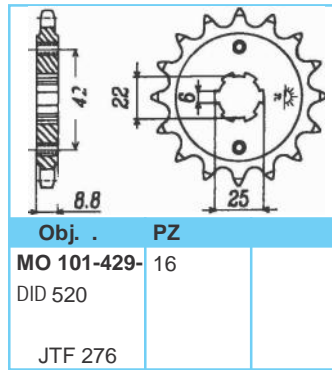
Obj. . PZ
MO 101-413- 13,14
DID 520 15



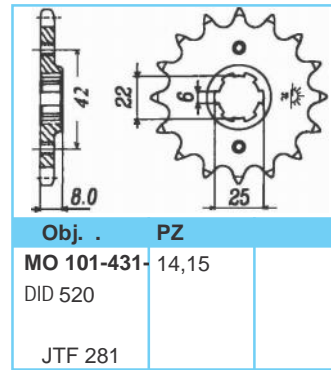
Obj. . PZ
MO 101-423- 14
DID 520



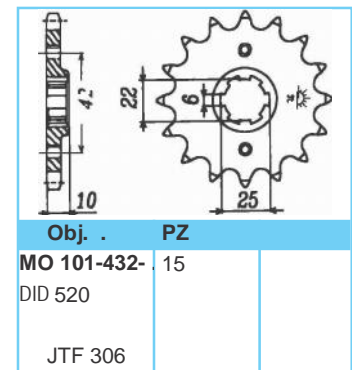
Obj. . PZ
MO 101-424- 15
DID 520



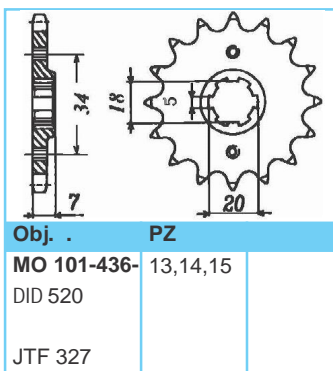
Obj. . PZ
MO 101-429- 16
DID 520



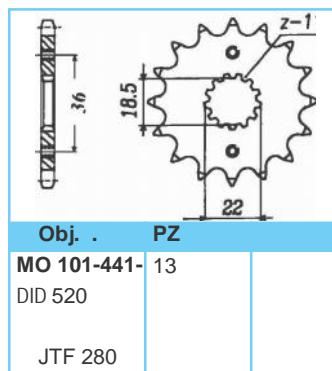
Obj. . PZ
MO 101-431- 14,15
DID 520



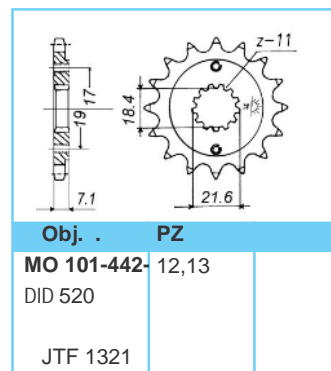
Obj. . PZ
MO 101-432- 15
DID 520



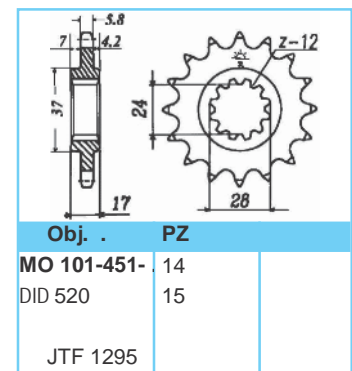
Obj. . PZ
MO 101-436- 13,14,15
DID 520



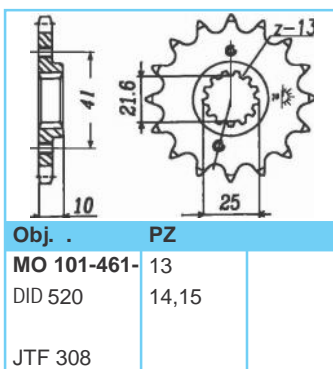
Obj. . PZ
MO 101-441- 13
DID 520



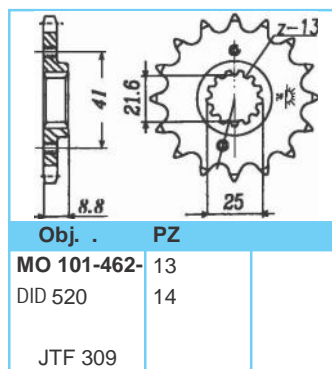
Obj. . PZ
MO 101-442- 12,13
DID 520



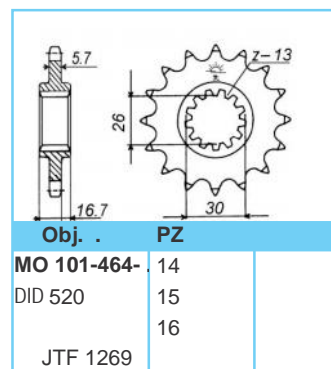
Obj. . PZ
MO 101-451- 14
DID 520 15



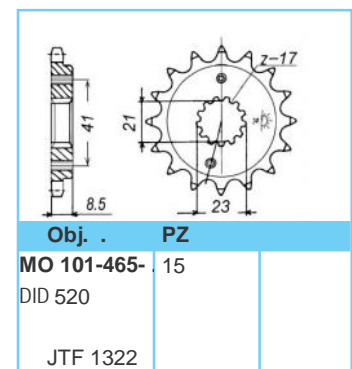
Obj. . PZ
MO 101-461- 13
DID 520 14,15



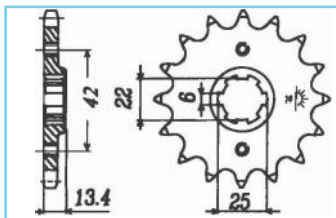
Obj. . PZ
MO 101-462- 13
DID 520 14



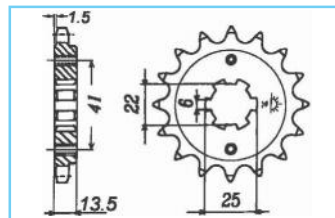
Obj. . PZ
MO 101-464- 14
DID 520 15
16



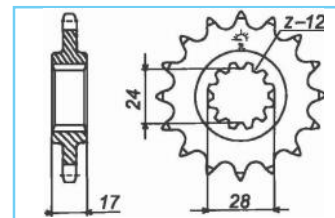
Obj. . PZ
MO 101-465- 15
DID 520



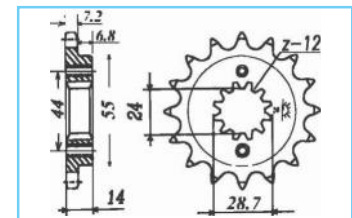
Obj. .	PZ		
MO 101-533-	16,17		
DID 525			
JTF 291			



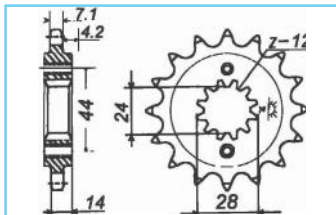
Obj. .	PZ		
MO 101-534-	14		
DID 525	15		
JTF 293			



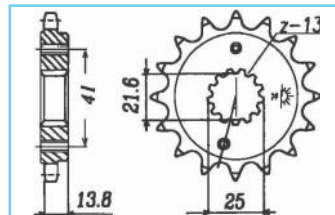
Obj. .	PZ		
MO 101-551-	14		
DID 525	15		
JTF 1371			



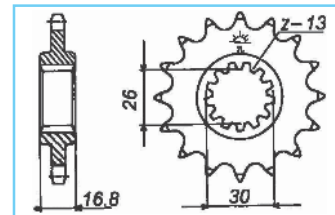
Obj. .	PZ		
MO 101-552-	15		
DID 525	16		
JTF 314			



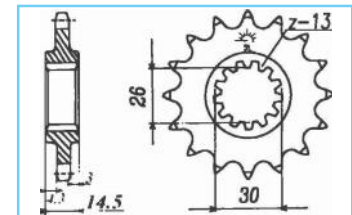
Obj. .	PZ		
MO 101-555-	17		
DID 525			
JTF 1372			



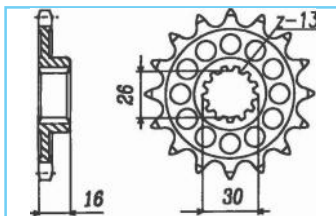
Obj. .	PZ		
MO 101-563-	15,16		
DID 525			
JTF 296			



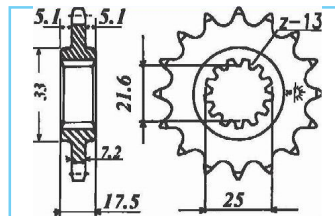
Obj. .	PZ		
MO 101-564-	15,16		
DID 525			
JTF 1370			



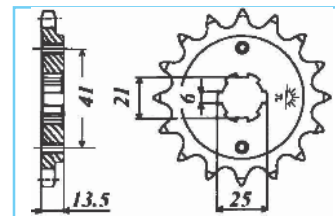
Obj. .	PZ		
MO 101-566-	15		
DID 525	17		
JTF 1332			



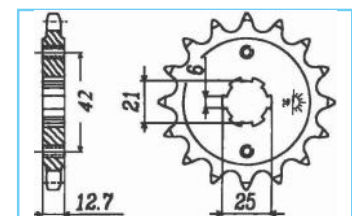
Obj. .	PZ		
MO 101-567-	16		
DID 525			
JTF 313			



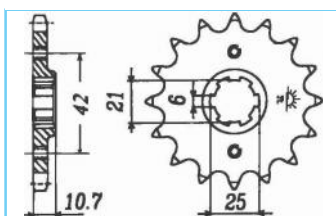
Obj. .	PZ		
MO 101-571-	14,15		
DID 525			
JTF 297			



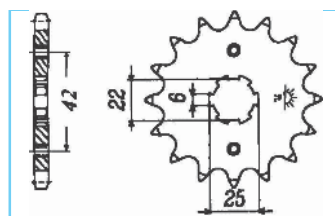
Obj. .	PZ		
MO 101-625-	15		
DID 530			
JTF 286			



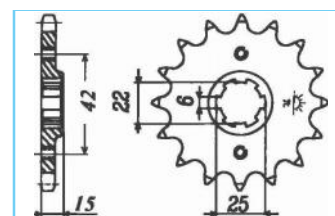
Obj. .	PZ		
MO 101-626-	17		
DID 530	18		
JTF 288			



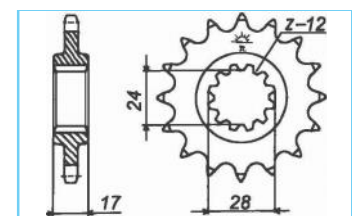
Obj. .	PZ		
MO 101-627-	16		
DID 530			
JTF 338			



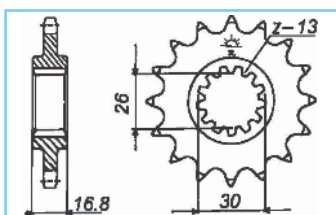
Obj. .	PZ		
MO 101-629-	16		
DID 530			
JTF 278			



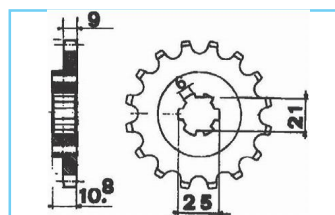
Obj. .	PZ		
MO 101-635-	16		
DID 530			
JTF 292			



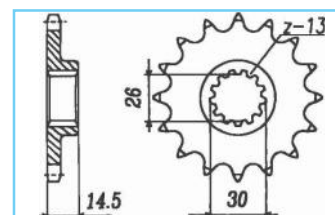
Obj. .	PZ		
MO 101-651-	14		
DID 530	15		
JTF 295			



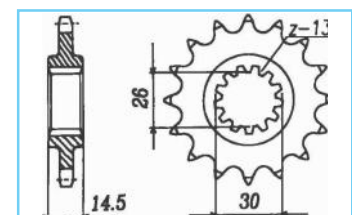
Obj. .	PZ		
MO 101-664-	15,16		
DID 530			
JTF 333			



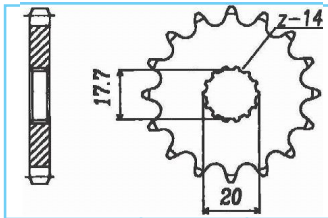
Obj. .	PZ		
MO 101-828-	14		
DID 630			
JTF 331			



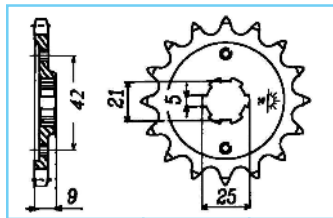
Obj. .	PZ		
MO 101-854-	15		
DID 630			
JTF 335			



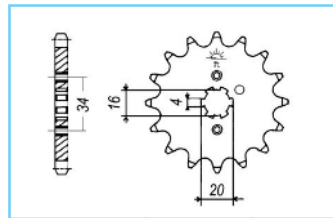
Obj. .	PZ		
MO 101-866-	15		
DID 630			
JTF 330			



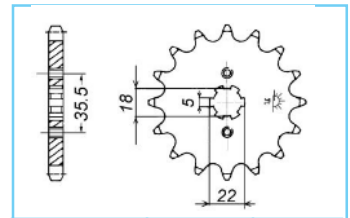
Obj. .	PZ	
MO 102-311-	13,14	
DID 428	15,16,17	
JTF 558		



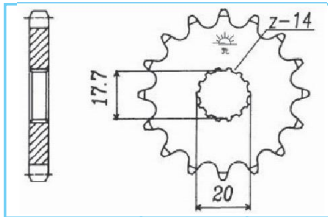
Obj. .	PZ	
MO 102-322-	19	
DID 428		
JTF 576		



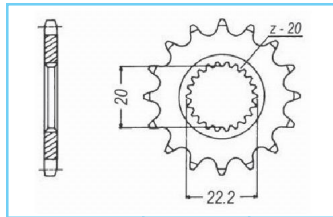
Obj. .	PZ	
MO 102-329-	14,15	
DID 428		
JTF 1263		



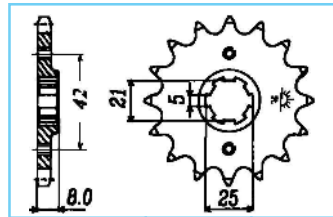
Obj. .	PZ	
MO 102-331-	14	
DID 428		
JTF 1559		



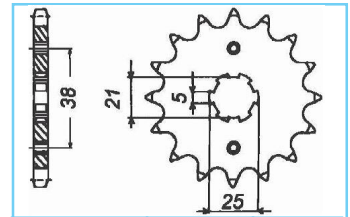
Obj. .	PZ	
MO 102-411-	12,13,14	
DID 520		
JTF 564		



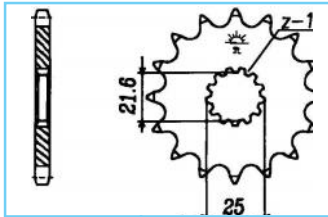
Obj. .	PZ	
MO 102-412-	12	
DID 520	13,14	
JTF 1590		



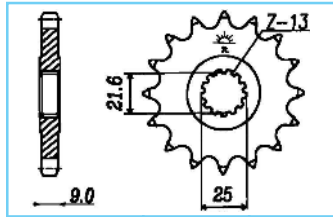
Obj. .	PZ	
MO 102-424-	14,15	
DID 520	16	
JTF 575		



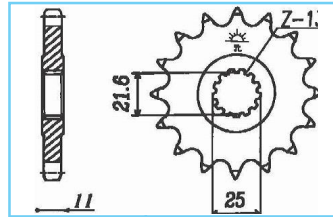
Obj. .	PZ	
MO 102-428-	12,13	
DID 520		
JTF 1573		



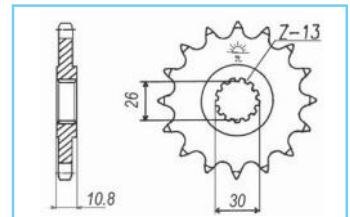
Obj. .	PZ	
MO 102-461-	12	
DID 520	13,14	
	15,16	
JTF 565		



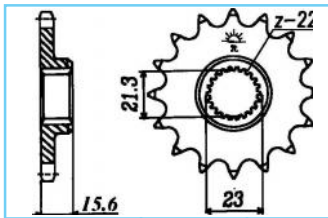
Obj. .	PZ	
MO 102-462-	15	
DID 520	16	
JTF 578		



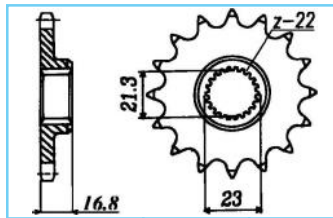
Obj. .	PZ	
MO 102-464-	14	
DID 520	15,16	
JTF 1581		



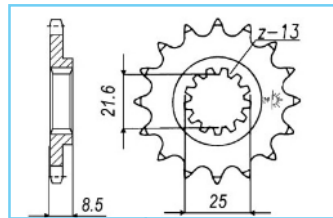
Obj. .	PZ	
MO 102-467-	15,16	
DID 520		
JTF 1579		



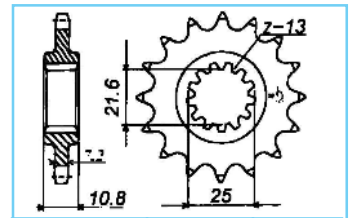
Obj. .	PZ	
MO 102-481-	14	
DID 520	15	
JTF 577		



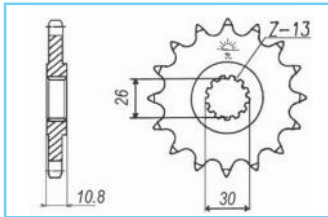
Obj. .	PZ	
MO 102-482-	16	
DID 520		
JTF 582		



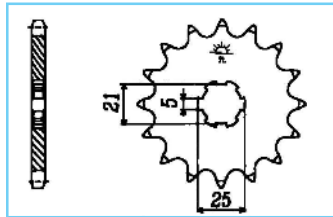
Obj. .	PZ	
MO 102-551-	15	
DID 525	16,17	
JTF 1537		



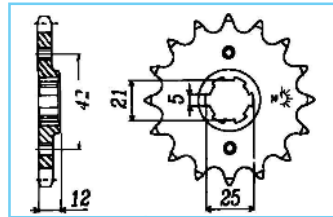
Obj. .	PZ	
MO 102-565-	15	
DID 525	16,17	
JTF 1586		



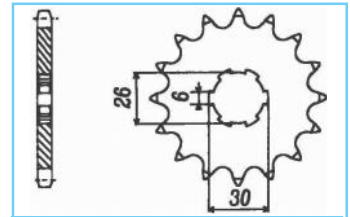
Obj. .	PZ	
MO 102-567-	15	
DID 525	16	
JTF 1591		



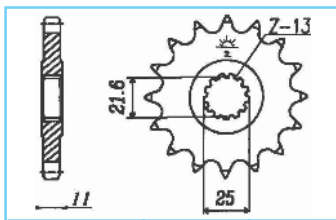
Obj. .	PZ	
MO 102-625-	16,17	
DID 530		
JTF 567		



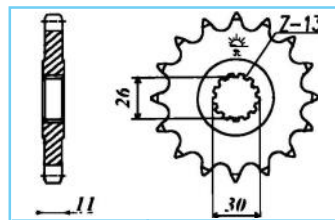
Obj. .	PZ	
MO 102-626-	16	
DID 530		
JTF 571		



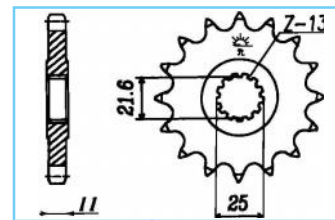
Obj. .	PZ	
MO 102-627-	16,17	
DID 530		
JTF 568		



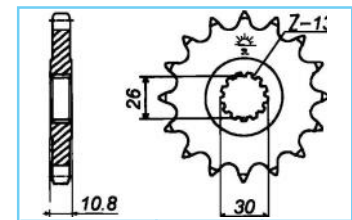
Obj. .	PZ	
MO 102-664-	15	
DID 530	16,17	
JTF 580		



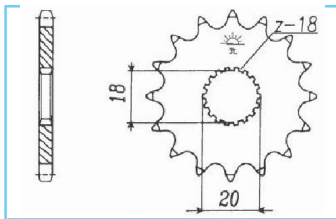
Obj. .	PZ	
MO 102-667-	15,18	
DID 530	16 17	
JTF 579		



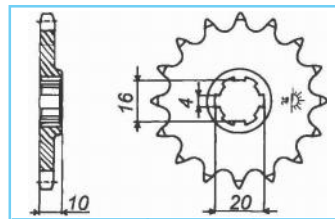
Obj. .	PZ	
MO 102-764-	15,16	
DID 532	17	
JTF 584		



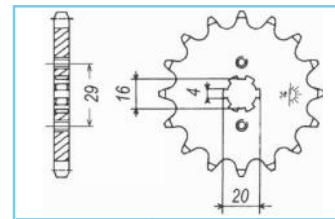
Obj. .	PZ	
MO 102-766-	17	
DID 532		
JTF 585		



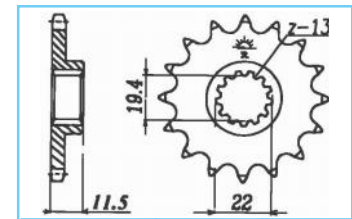
Obj. .	PZ	
MO 103-312-	13,14	
DID 428		
JTF 426		



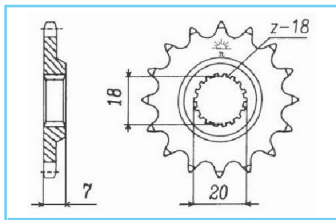
Obj. .	PZ	
MO 103-321-	13	
DID 428	14,15	
JTF 410		



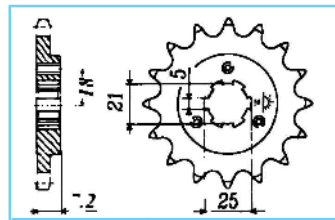
Obj. .	PZ	
MO 103-325-	15	
DID 428		
JTF 425		



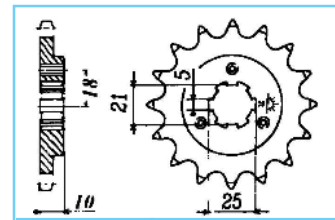
Obj. .	PZ	e
MO 103-365-	16	001590
DID 428		
JTF 409		



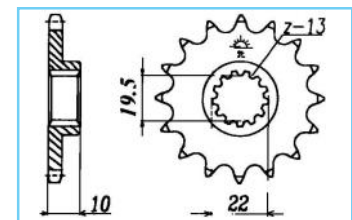
Obj. .	PZ	
MO 103-411-	12,13	
DID 520		
JTF 427		



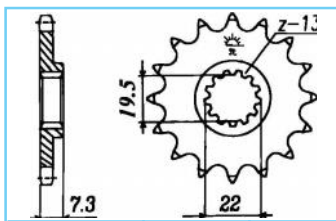
Obj. .	PZ	
MO 103-422-	14,16	
DID 520		
JTF 437		



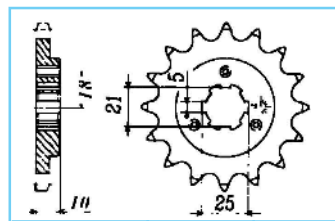
Obj. .	PZ	
MO 103-423-	15	
DID 520		
JTF 438		



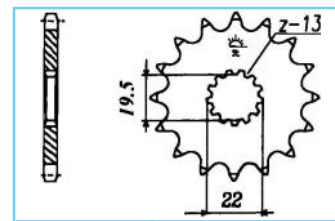
Obj. .	PZ	
MO 103-461-	12,13	
DID 520	14 15	
JTF 432		



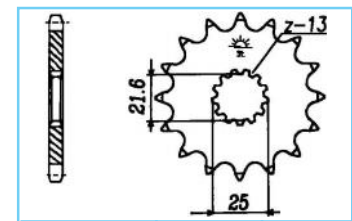
Obj. .	PZ	
MO 103-462-	14,15	
DID 520		
JTF 434		



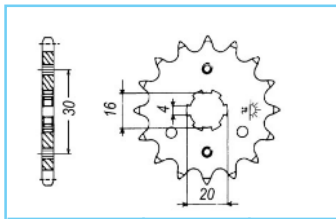
Obj. .	PZ	
MO 103-524-	14	
DID 525	15	
JTF 1448		



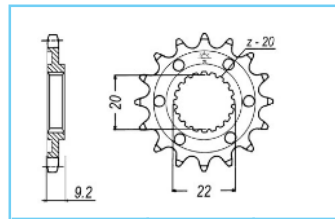
Obj. .	PZ	
MO 103-663-	15	
DID 530		
JTF 1448		



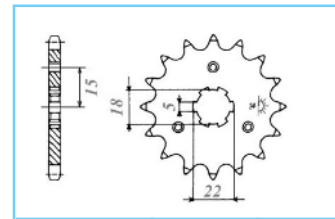
Obj. .	PZ	
MO 103-764-	14,15	
DID 532		
JTF 440		



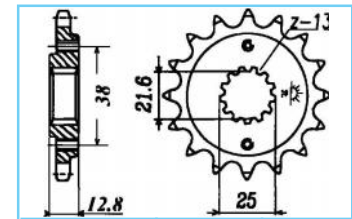
Obj. .	PZ	
MO 104-324-	13,14,15	
DID 428		
JTF 417		



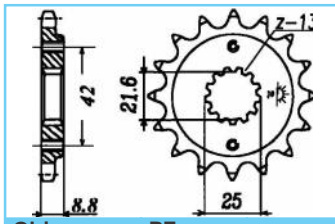
Obj. .	PZ	
MO 104-411-	13	
DID 520		
JTF 1446		



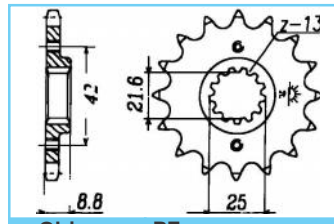
Obj. .	PZ	
MO 104-425-	11,12,13	
DID 520		
JTF 1445		



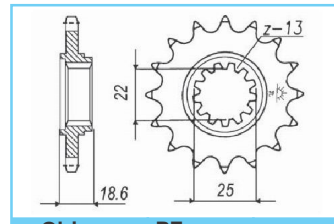
Obj. .	PZ	
MO 104-462-	14,15	
DID 520		
JTF 511		



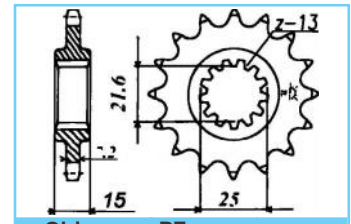
Obj. .	PZ		
MO 104-463-	15,17		
DID 520	16		
JTF 512			



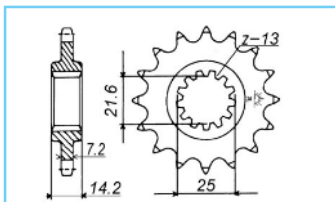
Obj. .	PZ		
MO 104-464-	14,15		
DID 520	16		
JTF 516			



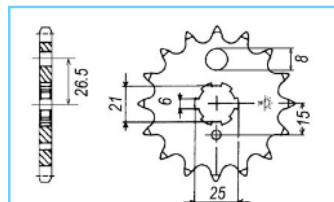
Obj. .	PZ		
MO 104-465-	14		
DID 520	15		
JTF 1538			



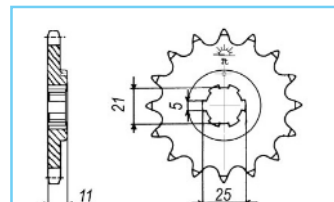
Obj. .	PZ		
MO 104-561-	14		
DID 525	15		
JTF 1515			



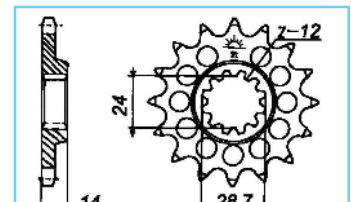
Obj. .	PZ		
MO 104-567-	15		
DID 525			
JTF 1531			



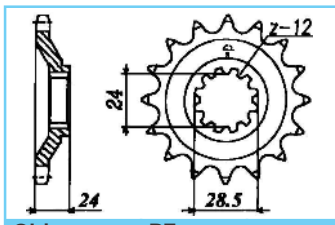
Obj. .	PZ		
MO 104-622-	15		
DID 530			
JTF 509			



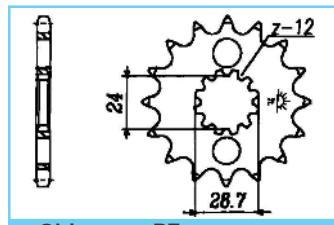
Obj. .	PZ		
MO 104-623-	16		
DID 530			
JTF 508			



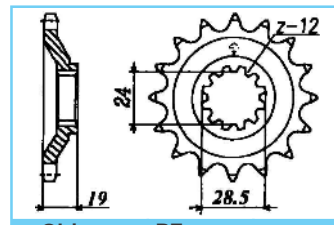
Obj. .	PZ		
MO 104-651-	17		
DID 530			
JTF 1529			



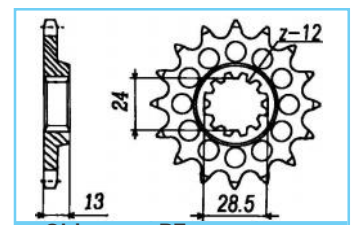
Obj. .	PZ		
MO 104-652-	17		
DID 530			
JTF 528			



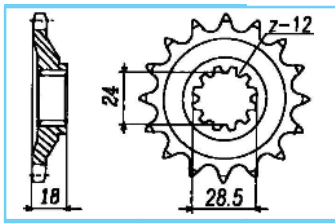
Obj. .	PZ		
MO 104-655-	15,16		
DID 530	17,18		
JTF 517			



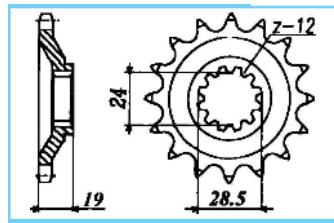
Obj. .	PZ		
MO 104-753-	17		
DID 532			
JTF 525			



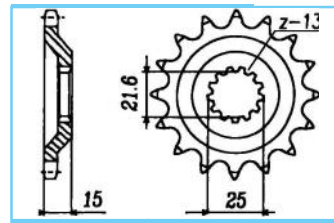
Obj. .	PZ		
MO 104-856-	15		
DID 630			
JTF 522			



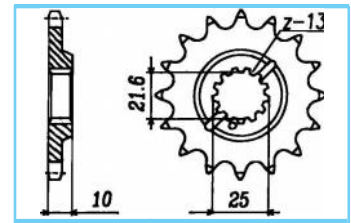
Obj. .	PZ		
MO 104-857-	15		
DID 630			
JTF 523			



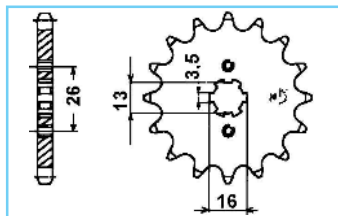
Obj. .	PZ		
MO 104-859-	15		
DID 632			
JTF 524			



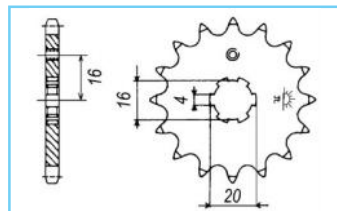
Obj. .	PZ		
MO 104-866-	15		
DID 630			
JTF 514			



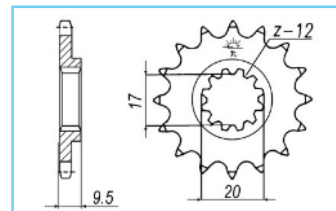
Obj. .	PZ		
MO 104-868-	15,16		
DID 630			
JTF 521			



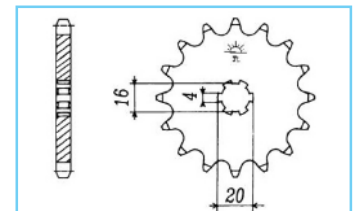
Obj. .	PZ	
MO 105-221-	11,12,13	
DID 420	14,15	
JTF 563		



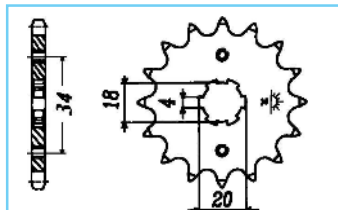
Obj. .	PZ	
MO 105-226-	12,13	
DID 420	14,15	
JTF 546		



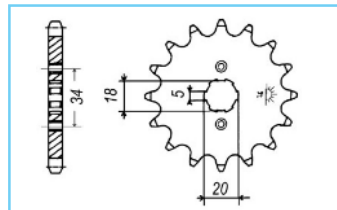
Obj. .	PZ	
MO 105-254-	12,14	
DID 420		
JTF 1906		



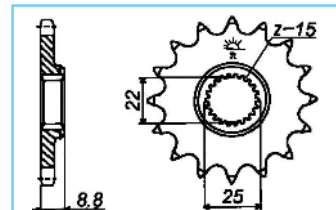
Obj. .	PZ	
MO 105-318-	13,14	
DID 428		
JTF 416		



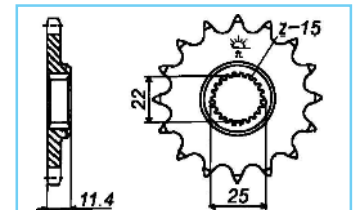
Obj. .	PZ	
MO 105-322-	13	
DID 428	14	
	15	
JTF 259		



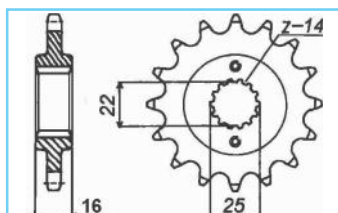
Obj. .	PZ	
MO 105-323-	15,16,17	
DID 428		
JTF 264		



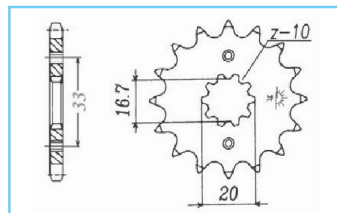
Obj. .	PZ	
MO 105-411-	13,14,15	
DID 520		
JTF 1901		



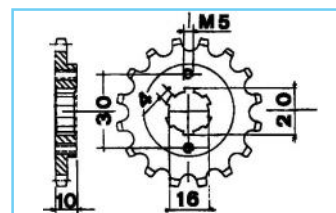
Obj. .	PZ	
MO 105-412-	13,14,15	
DID 520	16,17	
JTF 1902		



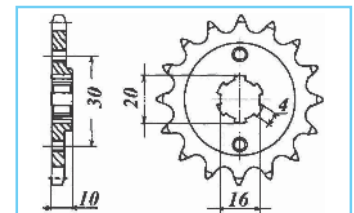
Obj. .	PZ	
MO 105-415-	14,15	
DID 520		
S 381		



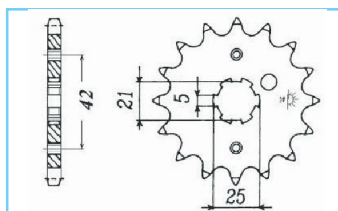
Obj. .	PZ	
MO 105-417-	12,13	
DID 520		
JTF 430		



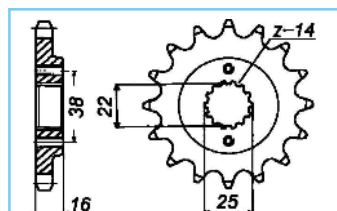
Obj. .	PZ	
MO 105-424-	13,14	
DID 520		
SJ 50-32067		



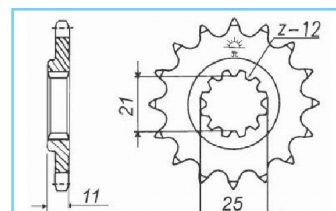
Obj. .	PZ	ViCode
MO 105-425-	14	001740
DID 520		
JTF 711		



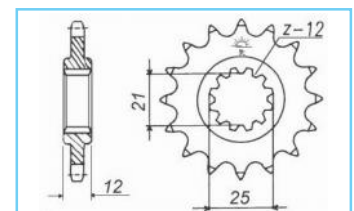
Obj. .	PZ	
MO 105-427-	12,13,14	
DID 520	15,16,17	
JTF 569		



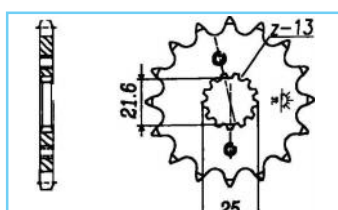
Obj. .	PZ	
MO 105-451-	13	
DID 520	14,15	
JTF 736		



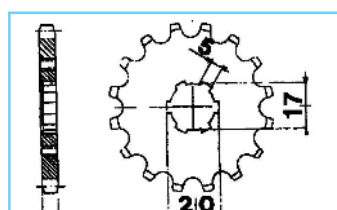
Obj. .	PZ	
MO 105-452-	13	
DID 520	14,15	
	17	
JTF 824		



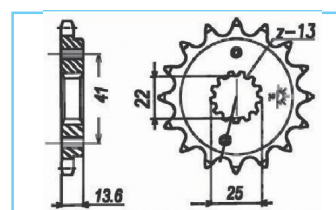
Obj. .	PZ	
MO 105-453-	13,14	
DID 520	15	
JTF 823		



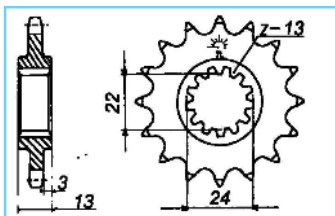
Obj. .	PZ	ViCode
MO 105-461-	13,14	000990
DID 520		
JTF 436		



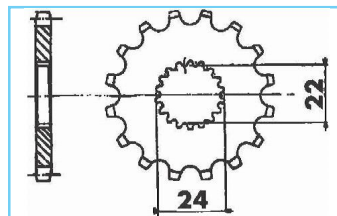
Obj. .	PZ	ViCode
MO 105-468-	11	001530
DID 520		
PBR 2059		



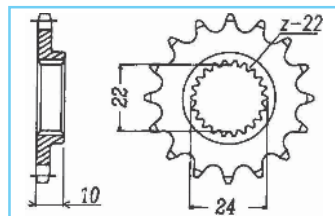
Obj. .	PZ	
MO 105-469-	13,14,15	
DID 520		
JTF 1307		



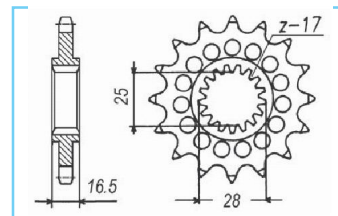
Obj. .	PZ	
MO 105-482-	15	
DID 520	16	
JTF 1126		



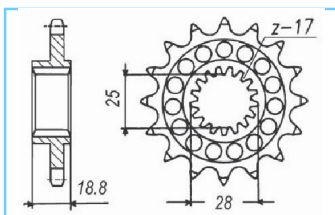
Obj. .	PZ	
MO 105-483-	14	
DID 520		
PBR 406		



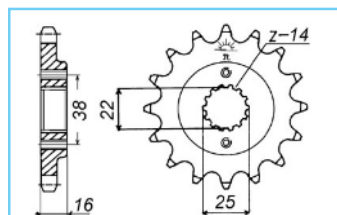
Obj. .	PZ	
MO 105-484-	16	
DID 520		
JTF 402		



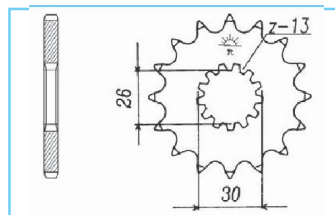
Obj. .	PZ	
MO 105-501-	16,17	
DID 525		
JTF 1904		



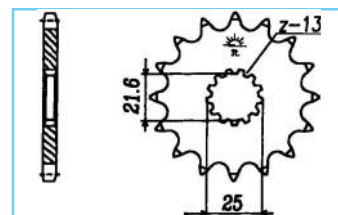
Obj. .	PZ	
MO 105-513-	15,16,17	
DID 525		
JTF 704		



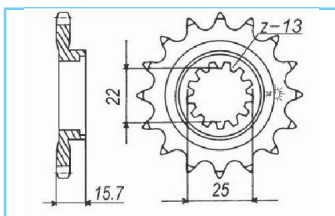
Obj. .	PZ	
MO 105-551-	14,15	
DID 525		
JTF 740		



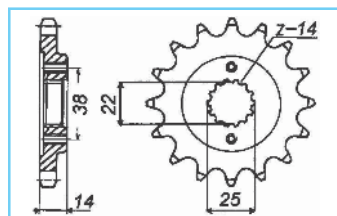
Obj. .	PZ	
MO 105-562-	17	
DID 525		
JTF 1183		



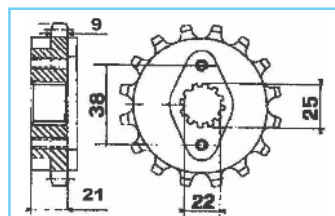
Obj. .	PZ	
MO 105-563-	14	
DID 525	15,16	
	17	
JTF 520		



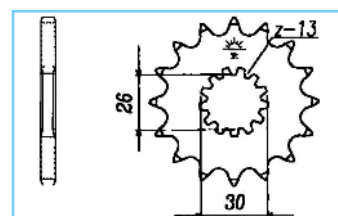
Obj. .	PZ	
MO 105-569-	14	
DID 525	15	
JTF 1535		



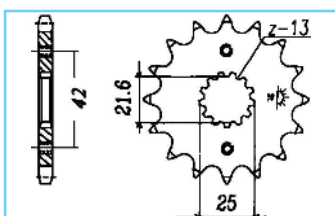
Obj. .	PZ	
MO 105-614-	15	
DID 530		
JTF 739		



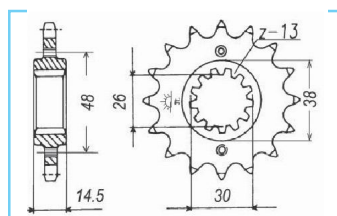
Obj. .	PZ	
MO 105-616-	15	
DID 530		
PBR 2079		



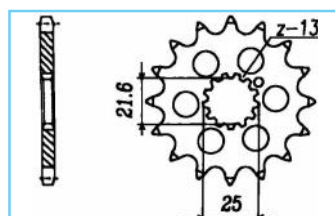
Obj. .	PZ	
MO 105-662-	17	
DID 530	18	
	19	
JTF 1180		



Obj. .	PZ	
MO 105-665-	14,15,16	
DID 530	17	
	18	
JTF 513/566		

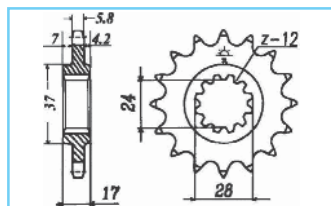


Obj. .	PZ	
MO 105-669-	15	
DID 530	16,17	
	18	
JTF 339		

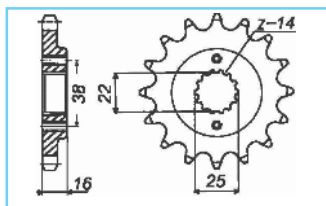


Obj. .	PZ	
MO 105-865-	13	
DID 630	15	
JTF 518		

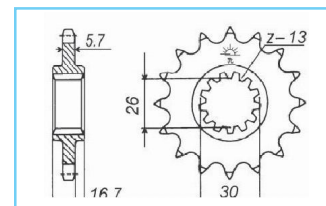
P ední kole ka Sport pro řetezy DID 520



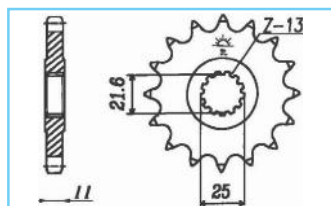
SPORT		
Obj. .	PZ	
-	-	
STANDARD		
Obj. .	PZ	ViCode
MO 101-451-	14	002250
	15	002190
JTF 1295		



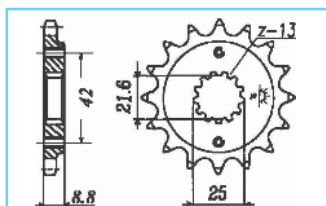
SPORT		
Obj. .	PZ	
MO 100-451-	13,14	
	15,16	
STANDARD		
Obj. .	PZ	
MO105-451-	13,14,15	



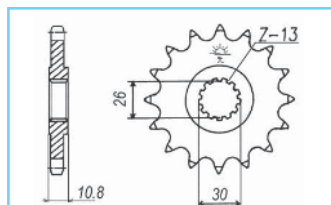
SPORT		
Obj. .	PZ	
MO 100-461-	14,15	
	16	
STANDARD		
Obj. .	PZ	
MO 101-464-	14	
	15	
	16	



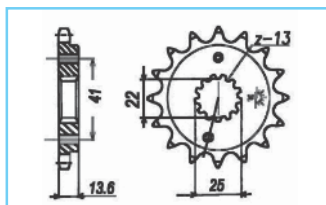
SPORT		
Obj. .	PZ	
MO 100-462-	14,15	
	16	
SJ 50-32071		
STANDARD		
Obj. .	PZ	
MO 102-464-	14	
	15,16	
JTF 1581		



SPORT		
Obj. .	PZ	
MO 100-465-	15,16	
	17	
SJ 50-32070		
STANDARD		
Obj. .	PZ	
MO 104-463-	15,17	
	16	
JTF 512		



SPORT		
Obj. .	PZ	
MO 100-467-	15,16	
STANDARD		
Obj. .	PZ	
MO 102-467-	15,16	
JTF 1579		



SPORT		
Obj. .	PZ	
MO 100-469-	14	
	15	
SJ 50-32088		
STANDARD		
Obj. .	PZ	
MO 105-469-	13	
	14	
JTF 1307	15	



